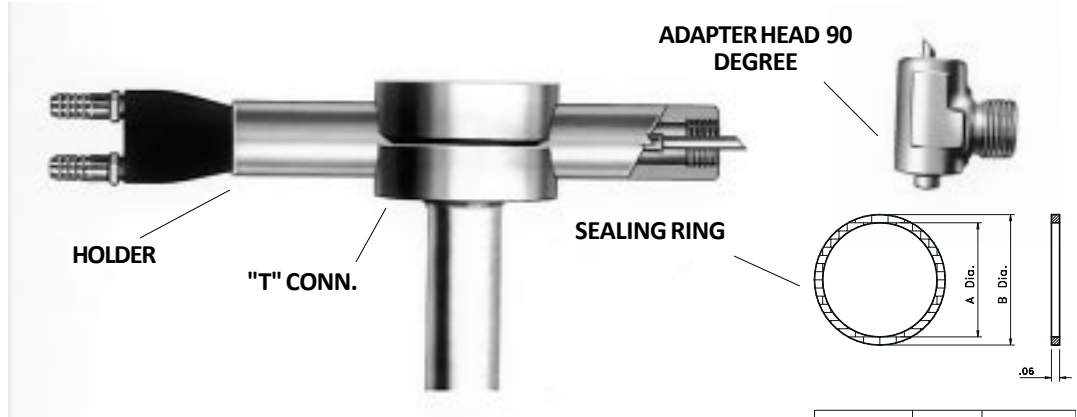




Email: Tipaloy@Tipaloy.com Phone: 313-875-5145 Web: www.Tipaloy.com

THREADED BARREL HOLDER ASSEMBLIES



Part Number	A Dia.	B Dia.
760-0-0001	7/8 Dia.	1 Dia.
780-0-0001	1 Dia.	1-1/8 Dia.

UNIVERSAL THREADED BARREL HOLDER ASSEMBLY

ASSEMBLY PART NO.	"T" CONNECTION				HOLDER			ADAPTER HEAD				
	Part No.	Hole Dia.	Shank Dia.	Shank Length	Part No.	Body Dia.	Thread	Part No.	Angle of Head	Holder Thread	Taper to Electrode	
	T-2104	T-1160	1	1	4	T-5432-A	1	7/8-14	T-764	90 Deg.	7/8-14	4 RW
T-2106	T-1160	1	1	T-5432-A		1	5 RW					
T-2114	T-1161	1-1/4	1-1/4	T-5433-A		1-1/4	4 RW					
T-2116	T-1161	1-1/4	1-1/4	T-5433-A		1-1/4	5 RW					
T-2128	T-1162	1-1/2	1-1/2	T-5435-A		1-1/2	1-14	T-778	1-14		4 RW	
T-2120	T-1162	1-1/2	1-1/2	T-5435-A		1-1/2		5 RW				
T-2105	T-1160	1	1	T-5432-A		1	7/8-14	T-765	30 Deg.		7/8-14	4 RW
T-2107	T-1160	1	1	T-5432-A		1		5 RW				
T-2115	T-1161	1-1/4	1-1/4	T-5433-A		1-1/4		4 RW				
T-2117	T-1161	1-1/4	1-1/4	T-5433-A		1-1/4		5 RW				
T-2129	T-1162	1-1/2	1-1/2	T-5435-A		1-1/2		1-14		T-779	1-14	4 RW
T-2121	T-1162	1-1/2	1-1/2	T-5435-A		1-1/2				5 RW		

STRAIGHT THREADED BARREL HOLDERS



90 DEG

90 DEGREE HOLDER ADAPTER HEADS MALE THREAD TYPE

Part No.	Barrel Dia.	Barrel Length	Barrel Thread
T-5432-A	1	8	7/8-14
T-5433-A	1-1/4		
T-5434-A	1-1/2		
T-5435-A	1-1/2		1-14



30 DEG

30 DEGREE HOLDER ADAPTER HEADS MALE THREAD TYPE

Part Number	Degree of Angle	Holder Thread	Electrode Taper
T-764	90	7/8-14	4 RW
T-766			5 RW
T-778		1-14	4 RW
T-780			5 RW

Part Number	Degree of Angle	Holder Thread	Electrode Taper
T-765	30	7/8-14	4 RW
T-768			5 RW
T-779		1-14	4 RW
T-781			5 RW