



Email: Tipaloy@Tipaloy.com Phone: 313-875-5145 Web: www.Tipaloy.com

STANDARD OFFSET HOLDERS - EJECTOR

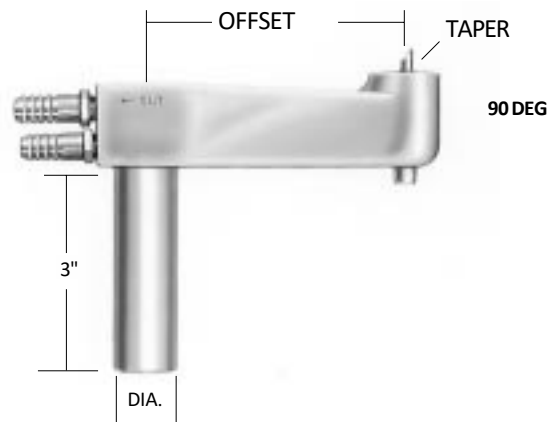
90 DEGREE STANDARD DUTY OFFSET

HOLDERS EJECTOR TYPE

Part Number	Offset	Shank Diameter
T-6700	2	3/4
T-6701		7/8
T-6702		1
T-6703		1-1/4
T-6703-A		1-1/2
T-6704	4	3/4
T-6705		7/8
T-6706		1
T-6707		1-1/4
T-6707-A		1-1/2
T-6708	2	3/4
T-6709		7/8
T-6710		1
T-6711		1-1/4
T-6711-A		1-1/2
T-6712	4	3/4
T-6713		7/8
T-6714		1
T-6715		1-1/4
T-6715-A		1-1/2

4 RW
Taper
(#1 MT)

5 RW
Taper
(#2 MT)



30 DEGREE STANDARD DUTY OFFSET

HOLDERS EJECTOR TYPE

Part Number	Offset	Shank Diameter
T-6800	3-1/2	3/4
T-6801		7/8
T-6802		1
T-6803		1-1/4
T-6804	3-1/2	3/4
T-6805		7/8
T-6806		1
T-6807		1-1/4

4 RW
Taper
(#1 MT)

5 RW
Taper
(#2 MT)

