

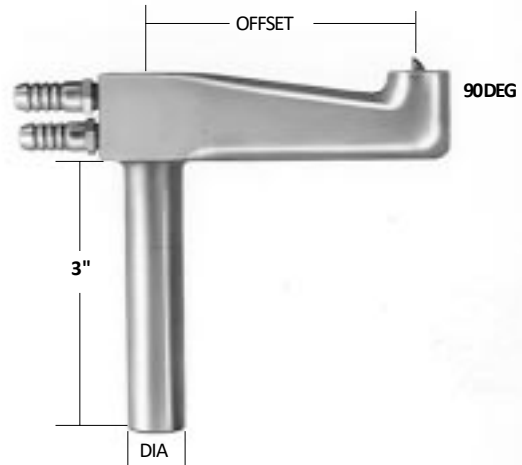


Email: [Tipaloy@Tipaloy.com](mailto:Tipaloy@Tipaloy.com) Phone: 313-875-5145 Web: [www.Tipaloy.com](http://www.Tipaloy.com)

## LIGHT DUTY OFFSET HOLDERS

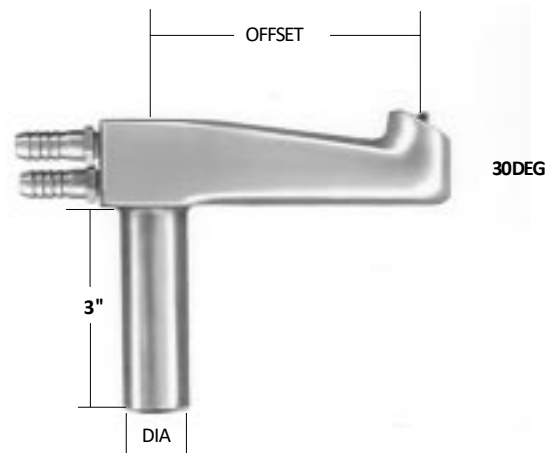
### LIGHT DUTY - 90 DEGREE OFFSET NON-EJECTOR TYPE

	Part Number	Offset	Shank Diameter	
	4 RW Taper (#1 MT)			T-121
T-122		7/8		
T-123		1		
T-124		1-1/4		
5 RW Taper (#2 MT)		T-131	4	3/4
		T-132		7/8
		T-133		1
		T-134		1-1/4
	T-127	2	7/8	
	T-128		1	
	T-129		1-1/4	
		T-137	4	7/8
		T-138		1
		T-139		1-1/4



### LIGHT DUTY - 30 DEGREE OFFSET NON-EJECTOR TYPE

	Part Number	Offset Diameter	Shank Diameter	
	4 RW Taper (#1 MT)			T-141
T-142		7/8		
T-143		1		
T-144		1-1/4		
5 RW Taper (#2 MT)		T-152	4	7/8
		T-153		1
		T-154		1-1/4
				T-147
T-148	1			
T-149	1-1/4			
	T-157		4	7/8
	T-158			1
	T-159			1-1/4



**SPECIAL SHANK DIAMETERS, LENGTHS, AND OFFSET LENGTHS  
ARE AVAILABLE ON A MADE TO ORDER BASIS**