

SPECIAL HOLDERS



CLOSE COUPLED HOLDERS T-2000/T-2000E

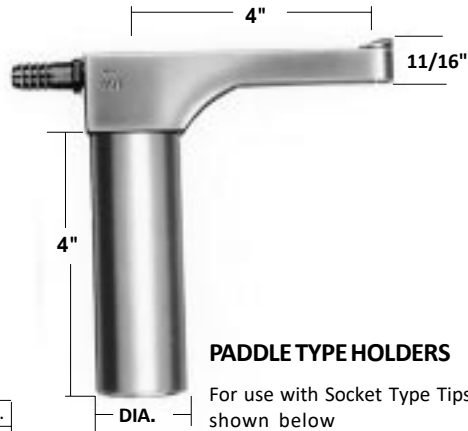
| | Part Number Non-Ejector Type | Part Number Ejector Type | Holder Body Diameter | Holder Body Length |
|--------------------------|---------------------------------|-----------------------------|-------------------------|-----------------------|
| 4 RW Taper (#1 MT) | T-2000 | T-2000-E | 3/4 | 3 |
| | T-2001 | T-2001-E | 7/8 | |
| | T-2002 | T-2002-E | 1 | |
| 5 RW Taper (#2 MT) | T-2003 | T-2003-E | 1 | 3 |
| | T-2004 | T-2004-E | 1-1/4 | |
| | T-2005 | T-2005-E | 1-1/2 | |

Custom barrel lengths available



**SPECIAL 20 DEGREE
OFFSET HOLDERS**

| Part Number | Shank Dia. |
|-------------|------------|
| T-5200 | 1 |
| T-5205 | 1-1/4 |



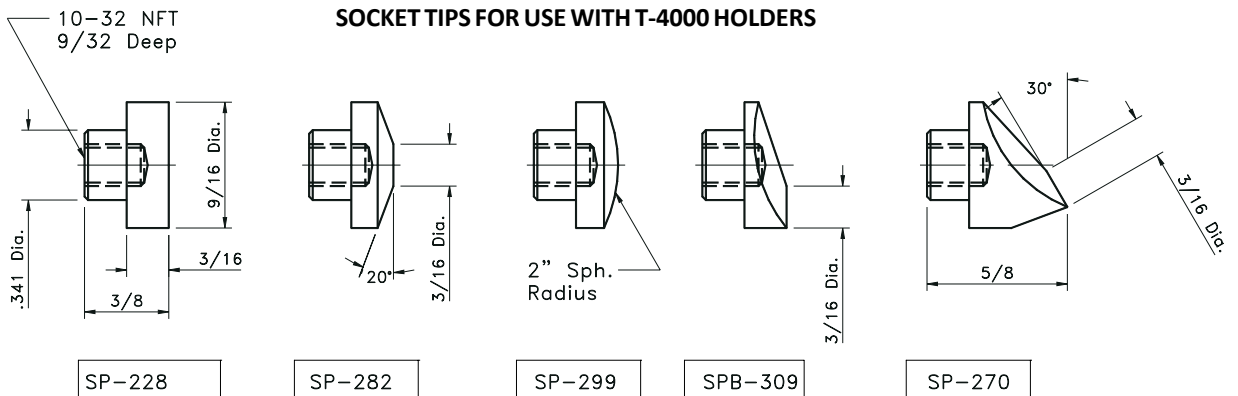
PADDLE TYPE HOLDERS

For use with Socket Type Tips as shown below

| Part Number | Shank Diameter |
|-------------|----------------|
| T-4012 | 3/4 |
| T-4014 | 7/8 |
| T-4016 | 1 |
| T-4020 | 1-1/4 |
| T-4024 | 1-1/2 |

Replacement Screw P/N 10F37SHC

SOCKET TIPS FOR USE WITH T-4000 HOLDERS



SP-228

SP-282

SP-299

SPB-309

SP-270