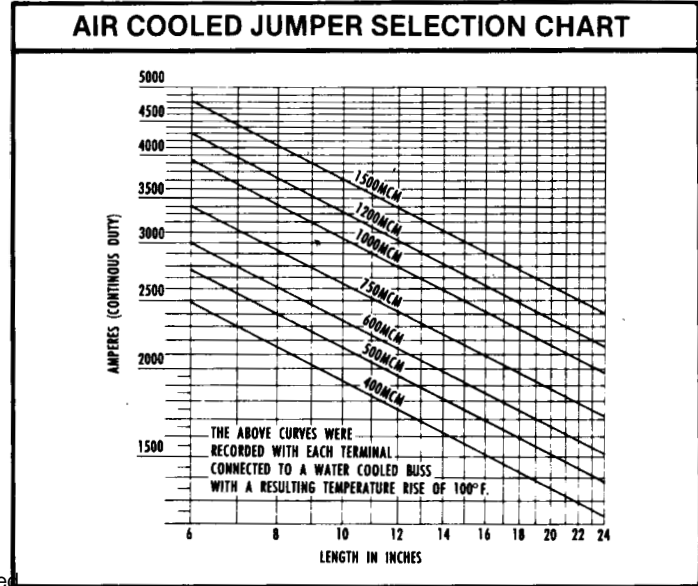
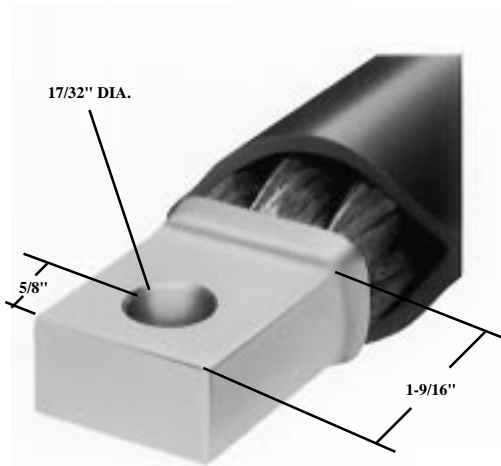


AIR COOLED JUMPER CABLES

AIR COOLED JUMPER CABLES



Every TIPALOY Dry Jumper has completely silver plated terminals, compressed under tons of pressure. Terminals can be manufactured up to 3-1/2" long for special applications.

"D" TERMINAL THICKNESS

MCM	1.250" Wide	1.375" Wide	1.500" Wide
350	0.370"	-	-
400	0.405"	0.370"	-
500	0.510"	0.465"	0.425"
600	0.540"	0.490"	0.450"
750	0.650"	0.590"	0.545"
1000	0.825"	0.750"	0.690"
1200	0.965"	0.880"	0.805"
1500	1.165"	1.060"	0.975"
2000	-	1.575"	1.440"

HOW TO ORDER:

Type "D" Dry Jumpers:

The length is measured from the bolt hole centers at each end of the cable on straight or 45 degree terminals. It is measured from the extreme ends of 90 degree terminals. On terminals with two holes, measure from the centers of the outer holes. The following information should be provided:

TYPE	MCM SIZE	LENGTH	TERMINALS	
			1ST END	2ND END
D	6C or 600MCM	16"	F	V

(Example: D-6C-16"-FV)

COVER MATERIAL IS AVAILABLE

TERMINAL CONNECTIONS

