



UNITED STATES (313) 875-5145  
 FAX (313) 875-6027  
 WORLD WIDE WEB: WWW.TIPALOY.COM

CANADA (888) 847-2569  
 FAX (888) 551-2055  
 E-MAIL TIPALOY@TIPALOY.COM

## PRESSURE GAUGES

CONTROLLING WELD PRESSURE IS AN ESSENTIAL PART OF MAKING A GOOD WELD.  
 TIPALOY GAUGES CAN REMOVE THE GUESS WORK.

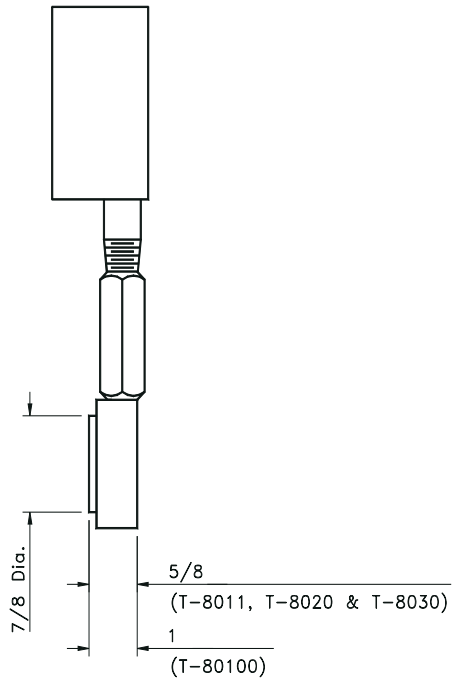
### ADVANTAGES OF USING A TIPALOY PRESSURE GAUGE

\*ACCURATE SET-UP AND TROUBLE SHOOTING    \*EASIER SET-UP AND MAINTENANCE

### HOW TO USE:

WELD TIPS SHOULD BE PROPERLY ALIGNED  
 CURRENT SHOULD BE OFF (MUST BE OFF ON T-80100)  
 CONTACT BUTTON AS CLOSE TO CENTER AS POSSIBLE WITH LOW INITIAL PRESSURE  
 INCREASE TO DESIRED WELD PRESSURE AFTER CONTACT HAS BEEN MADE

PRESSURE GAUGES



Part No.	Pressure Range	Minimum Tip Opening	Accuracy	Insulated Button	Zero Adjustment Screw
T-8011	0 - 1,000 lbs.	11/16"	+/- 3%	Standard	Standard
T-8020	0 - 2,000 lbs.				
T-8030	0 - 3,000 lbs.				
T-8050	0 - 5,000 lbs.	13/16"		Not Avail.	
T-80100	0 - 10,000 lbs.	13/16"		Not Avail.	

### OPTIONS

*LAZY HAND
*12" EXTENSION
*NON-INSULATED STEEL BUTTON
*OIL FILLED GAUGE

\* Options must be specified at time of order.