



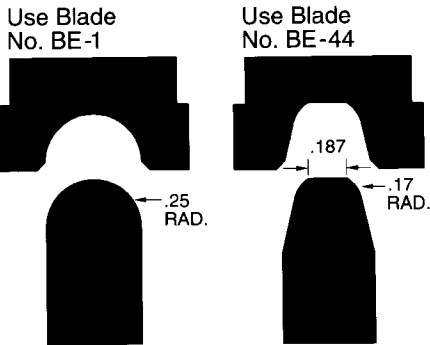
Table Dresser

This off-line table dresser is perfect for high production redressing of cap tips. This machine will accommodate both male and female caps (with available tooling)

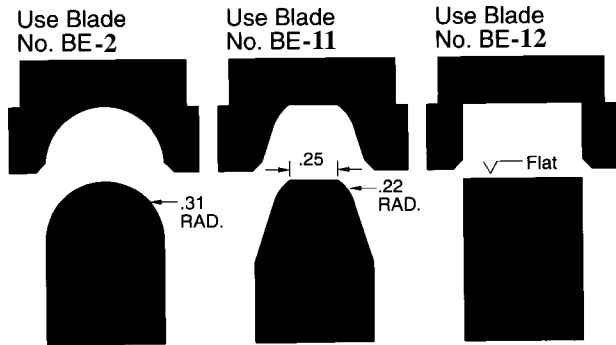
PART # DT-1

TIP DRESSING BLADES & CHUCKS

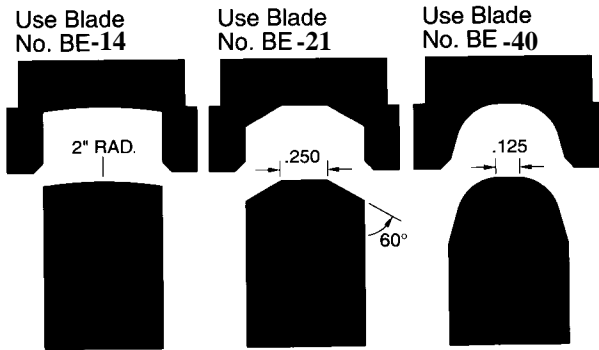
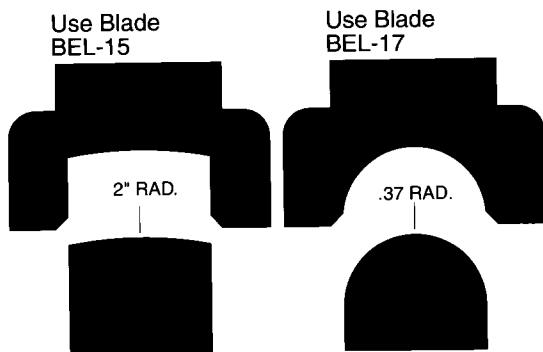
For No. 4RW Electrodes
 Use Chuck No. C-1; Nut N-1, Ring No. R-2



For No. 5RW Electrodes
 Use Chuck No. C-1; Nut N-1, Ring No. R-1



For No. 6RW Electrodes
 Use Chuck No. C-2; Nut N-2



For No. 7RW Electrodes
 Use Chuck No. C-2; Nut N-3

