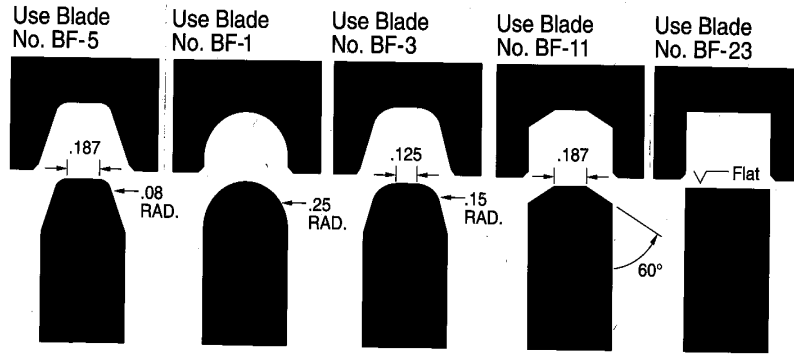


TIP DRESSING BLADES & CHUCKS

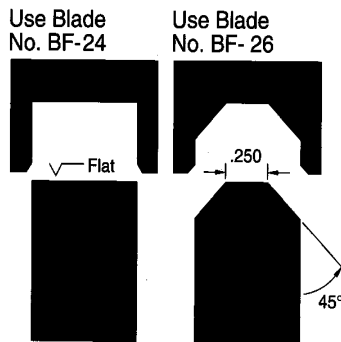
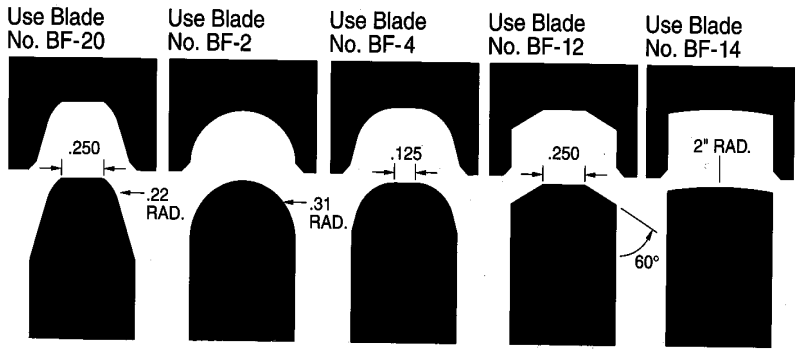
FLUSH TYPE STRAIGHT



For No. 4RW Electrodes
 Use chuck No. C-6 for all.



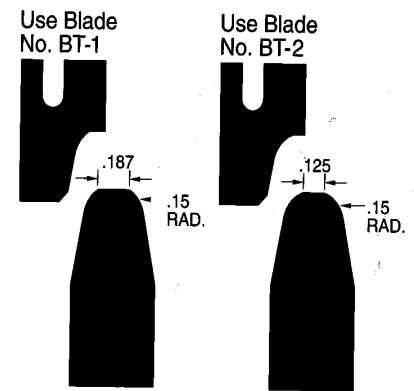
For No. 5RW Electrodes
 Use chuck No. C-5 for all



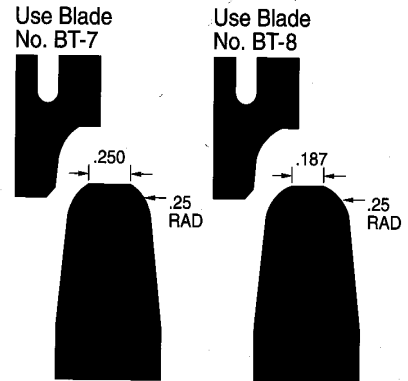
FLUSH TYPE TAPERED



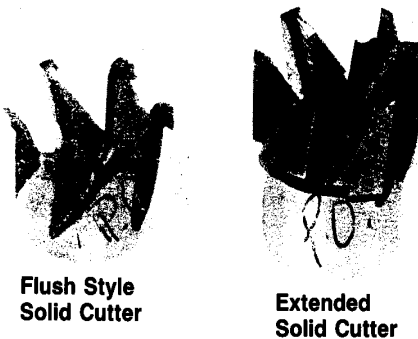
For No. 4RW Electrodes
 Use chuck No. C-3 for all.



For No. 5RW Pointed Electrodes
 Use chuck No. C-4 for all



Solid Style Cutters, 1 Piece
 For #4 & #5RW Electrodes



Lathe or Drill Press
 Adaptor

