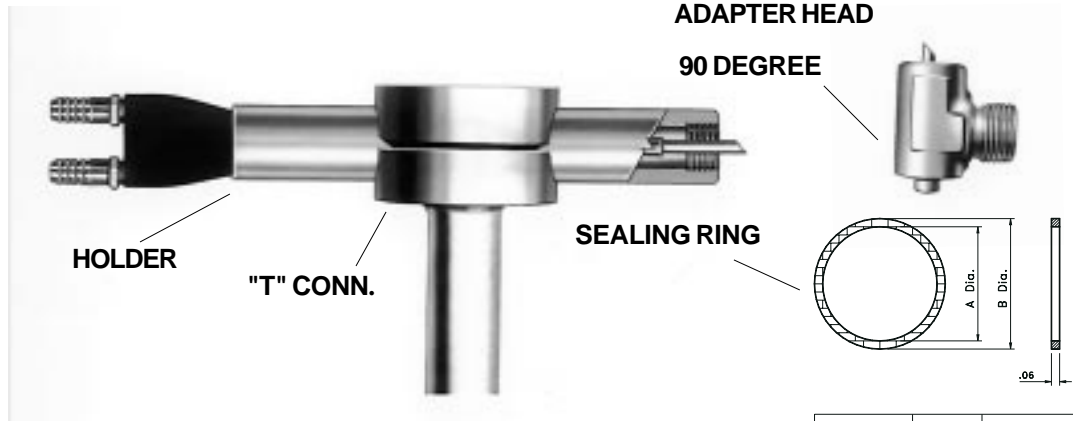




UNITED STATES (313) 875-5145
 FAX (313) 875-6027
 WORLD WIDE WEB: WWW.TIPALOY.COM

CANADA (888) 847-2569
 FAX (888) 551-2055
 E-MAIL TIPALOY@TIPALOY.COM

THREADED BARREL HOLDER ASSEMBLIES



UNIVERSAL THREADED BARREL HOLDER ASSEMBLY

Part Number	A Dia.	B Dia.
760-0-0001	7/8 Dia.	1 Dia.
780-0-0001	1 Dia.	1-1/8 Dia.

ASSEMBLY PART NO.	"T" CONNECTION				HOLDER			ADAPTER HEAD				
	Part No.	Hole Dia.	Shank Dia.	Shank Length	Part No.	Body Dia.	Thread	Part No.	Angle of Head	Holder Thread	Taper to Electrode	
T-2104	T-1160	1	1	4	T-5432-A	1	7/8-14	T-764	90 Deg.	7/8-14	4 RW	
T-2106	T-1160	1	1		T-5432-A	1		5 RW				
T-2114	T-1161	1-1/4	1-1/4		T-5433-A	1-1/4		4 RW				
T-2116	T-1161	1-1/4	1-1/4		T-5433-A	1-1/4		5 RW				
T-2128	T-1162	1-1/2	1-1/2		T-5435-A	1-1/2	1-14	4 RW				
T-2120	T-1162	1-1/2	1-1/2		T-5435-A	1-1/2	5 RW					
T-2105	T-1160	1	1		T-5432-A	1	7/8-14	T-780		30 Deg.	7/8-14	4 RW
T-2107	T-1160	1	1		T-5432-A	1		5 RW				
T-2115	T-1161	1-1/4	1-1/4		T-5433-A	1-1/4		4 RW				
T-2117	T-1161	1-1/4	1-1/4		T-5433-A	1-1/4		5 RW				
T-2129	T-1162	1-1/2	1-1/2		T-5435-A	1-1/2		1-14	4 RW			
T-2121	T-1162	1-1/2	1-1/2		T-5435-A	1-1/2		5 RW				

STRAIGHT THREADED BARREL HOLDERS



90 DEG

Part No.	Barrel Dia.	Barrel Length	Barrel Thread
T-5432-A	1	8	7/8-14
T-5433-A	1-1/4		
T-5434-A	1-1/2		
T-5435-A	1-1/2		



30 DEG

90 DEGREE HOLDER ADAPTER HEADS MALE THREAD TYPE

30 DEGREE HOLDER ADAPTER HEADS MALE THREAD TYPE

Part Number	Degree of Angle	Holder Thread	Electrode Taper
T-764	90	7/8-14	4 RW
T-766			5 RW
T-778		1-14	4 RW
T-780			5 RW

Part Number	Degree of Angle	Holder Thread	Electrode Taper
T-765	30	7/8-14	4 RW
T-767			5 RW
T-779		1-14	4 RW
T-781			5 RW