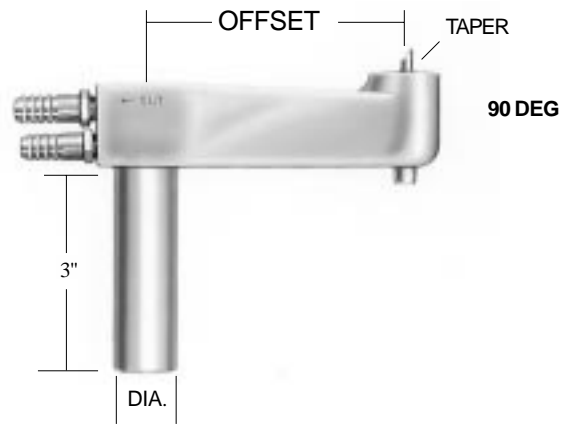


STANDARD OFFSET HOLDERS - EJECTOR

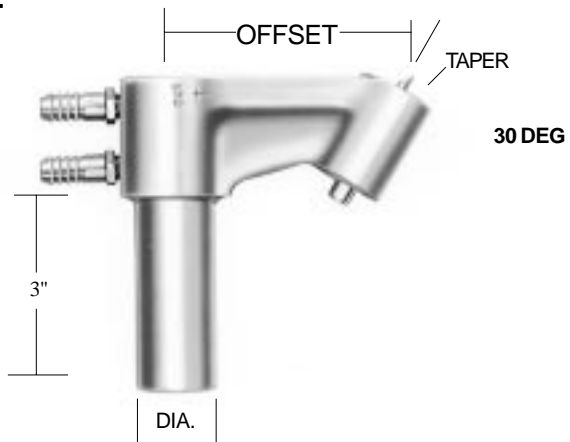
90 DEGREE STANDARD DUTY OFFSET HOLDERS EJECTOR TYPE

Part Number	Offset	Shank Diameter
4 RW Taper (#1 MT)	2	3/4
		7/8
		1
		1-1/4
		1-1/2
	4	3/4
		7/8
		1
		1-1/4
		1-1/2
5 RW Taper (#2 MT)	2	3/4
		7/8
		1
		1-1/4
		1-1/2
	4	3/4
		7/8
		1
		1-1/4
		1-1/2



30 DEGREE STANDARD DUTY OFFSET HOLDERS EJECTOR TYPE

Part Number	Offset	Shank Diameter
4 RW Taper (#1 MT)	3-1/2	3/4
		7/8
		1
		1-1/4
5 RW Taper (#2 MT)	3-1/2	3/4
		7/8
		1
		1-1/4



STANDARD OFFSET HOLDERS - EJECTOR