

LIGHT DUTY OFFSET HOLDERS

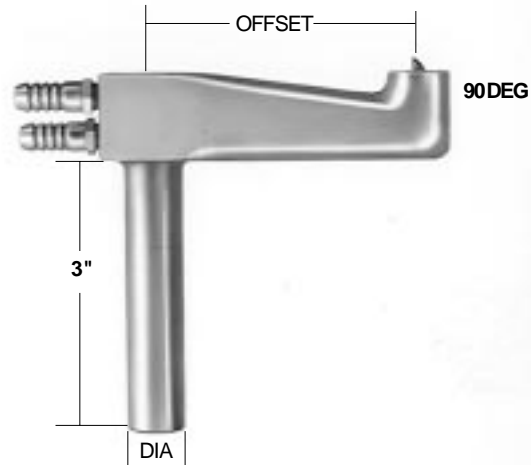
LIGHT DUTY - 90 DEGREE OFFSET NON-EJECTOR TYPE

4 RW
 Taper
 (#1 MT)

Part Number	Offset	Shank Diameter
T-121	2	3/4
T-122		7/8
T-123		1
T-124		1-1/4
T-131	4	3/4
T-132		7/8
T-133		1
T-134		1-1/4

5 RW
 Taper
 (#2 MT)

T-127	2	7/8
T-128		1
T-129		1-1/4
T-137	4	7/8
T-138		1
T-139		1-1/4



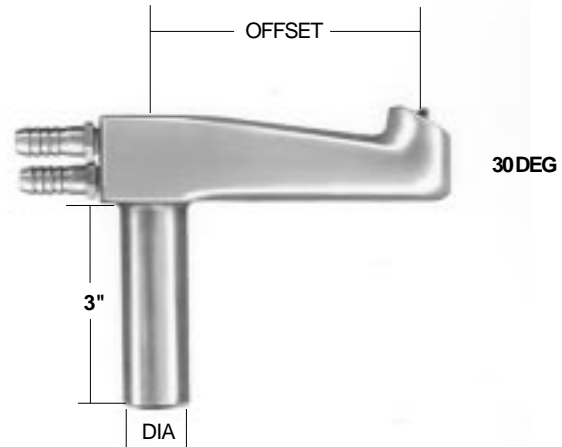
LIGHT DUTY - 30 DEGREE OFFSET NON-EJECTOR TYPE

4 RW
 Taper
 (#1 MT)

Part Number	Offset	Shank Diameter
T-141	2	3/4
T-142		7/8
T-143		1
T-144		1-1/4
T-152	4	7/8
T-153		1
T-154		1-1/4

5 RW
 Taper
 (#2 MT)

T-147	2	7/8
T-148		1
T-149		1-1/4
T-157	4	7/8
T-158		1
T-159		1-1/4



LIGHT DUTY OFFSET HOLDERS

**SPECIAL SHANK DIAMETERS, LENGTHS, AND OFFSET LENGTHS
 ARE AVAILABLE ON A MADE TO ORDER BASIS**