

## SPECIAL HOLDERS



### CLOSE COUPLED HOLDERS T-2000/T-2000E

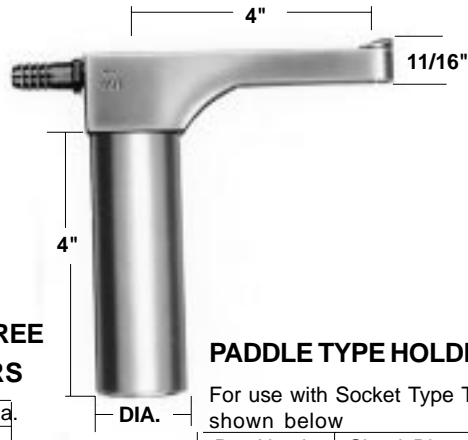
|                          | Part Number<br>Non-Ejector Type | Part Number<br>Ejector Type | Holder Body<br>Diameter | Holder Body<br>Length |
|--------------------------|---------------------------------|-----------------------------|-------------------------|-----------------------|
| 4 RW<br>Taper<br>(#1 MT) | T-2000                          | T-2000-E                    | 3/4                     | 3                     |
|                          | T-2001                          | T-2001-E                    | 7/8                     |                       |
|                          | T-2002                          | T-2002-E                    | 1                       |                       |
| 5 RW<br>Taper<br>(#2 MT) | T-2003                          | T-2003-E                    | 1                       | 3                     |
|                          | T-2004                          | T-2004-E                    | 1-1/4                   |                       |
|                          | T-2005                          | T-2005-E                    | 1-1/2                   |                       |

Custom barrel lengths available



### SPECIAL 20 DEGREE OFFSET HOLDERS

| Part Number | Shank Dia. |
|-------------|------------|
| T-5200      | 1          |
| T-5205      | 1-1/4      |



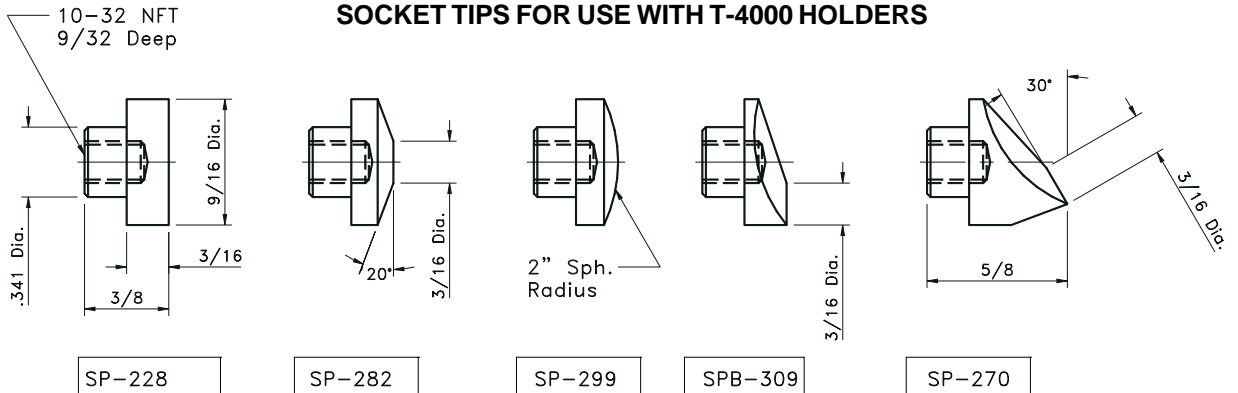
### PADDLE TYPE HOLDERS

For use with Socket Type Tips as shown below

| Part Number | Shank Diameter |
|-------------|----------------|
| T-4012      | 3/4            |
| T-4014      | 7/8            |
| T-4016      | 1              |
| T-4020      | 1-1/4          |
| T-4024      | 1-1/2          |

Replacement Screw P/N 10F37SHC

### SOCKET TIPS FOR USE WITH T-4000 HOLDERS



SP-228

SP-282

SP-299

SPB-309

SP-270