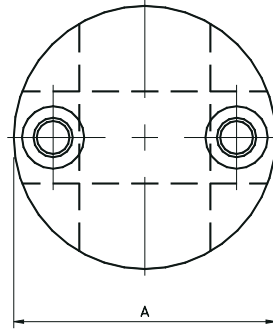




WELDER ARMS

EXAMPLE OF PART CODING:

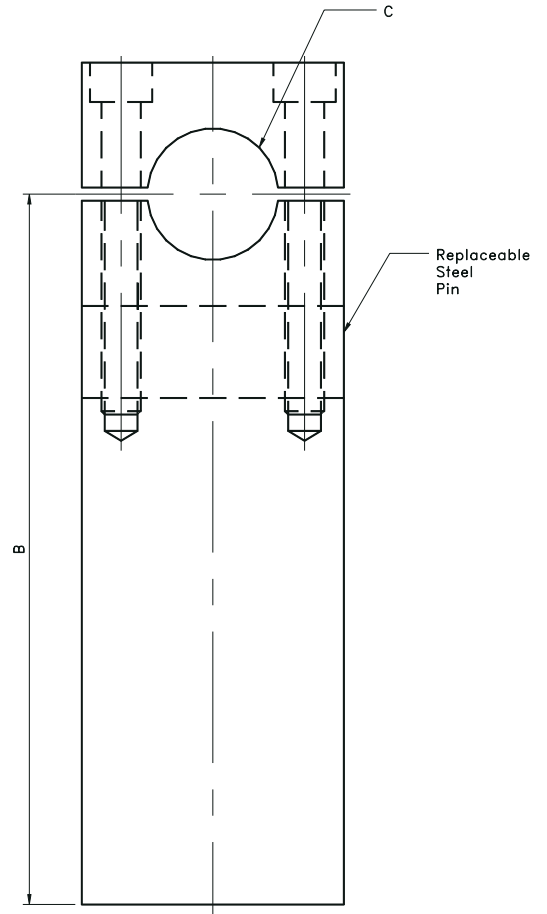
- TWA = TIPALOY WELDER ARM
- A = ARM DIAMETER IN 1/8" INCREMENTS
- B = LENGTH TO CENTERLINE OF SHANK HOLE IN 1/4" INCREMENTS
- C = SHANK HOLE DIAMETER IN 1/8" INCREMENTS



TIPALOY WELDING MACHINE ARMS

PART #	DIA.	O.A.L.	HOLE DIA.
	A	B	C
TWA-16-48-8	2"	12	1"
TWA-16-64-8		16	
TWA-16-72-8		18	
TWA-16-80-8		20	
TWA-16-96-8		24	
TWA-16-144-8		36	
TWA-20-48-10	2-1/2"	12	1-1/4"
TWA-20-64-10		16	
TWA-20-72-10		18	
TWA-20-80-10		20	
TWA-20-96-10		24	
TWA-20-144-10		36	
TWA-24-48-12	3"	12	1-1/2"
TWA-24-64-12		16	
TWA-24-72-12		18	
TWA-24-80-12		20	
TWA-24-96-12		24	
TWA-24-144-12		36	

OTHER LENGTHS AND DIAMETERS AVAILABLE.



WELDER ARMS